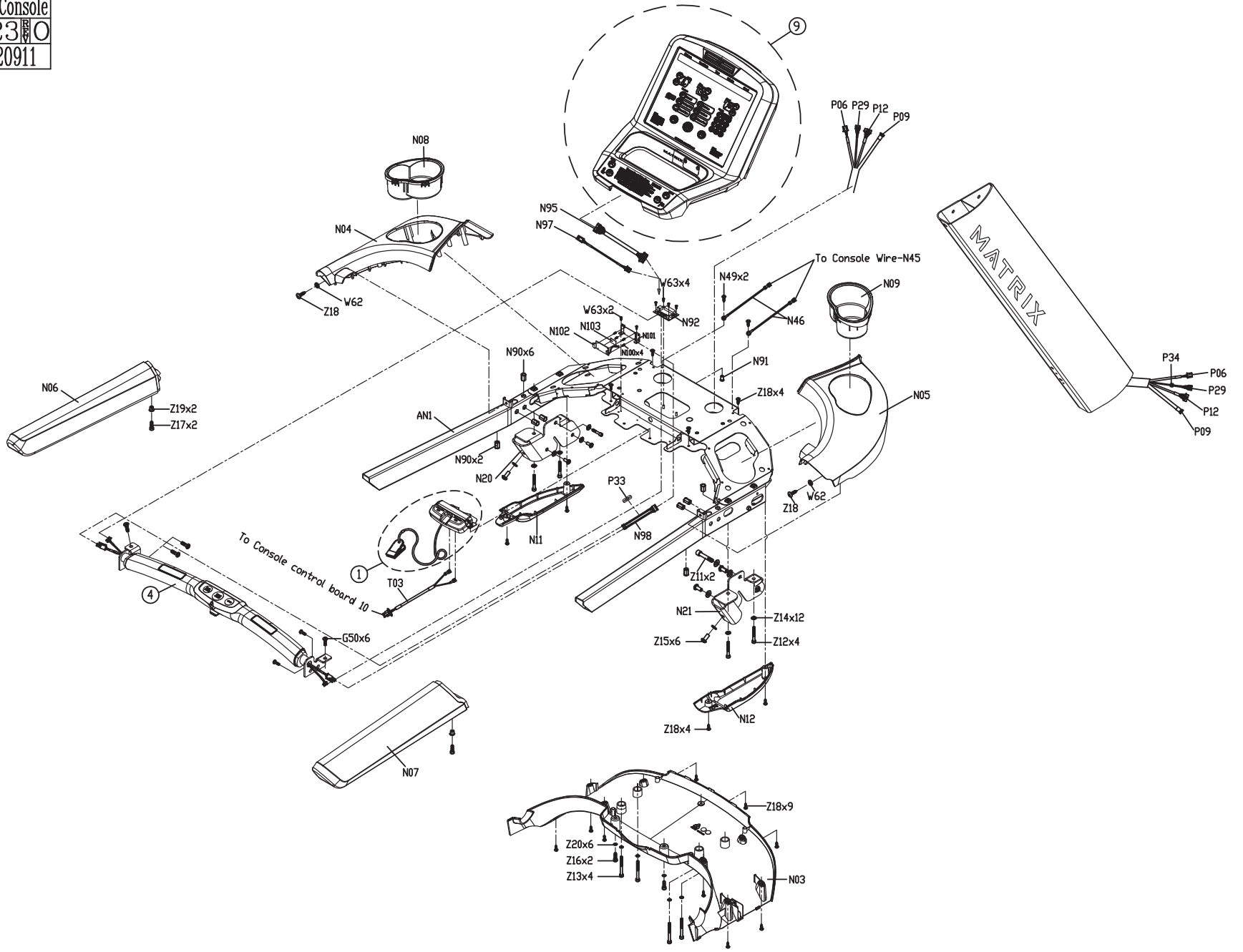
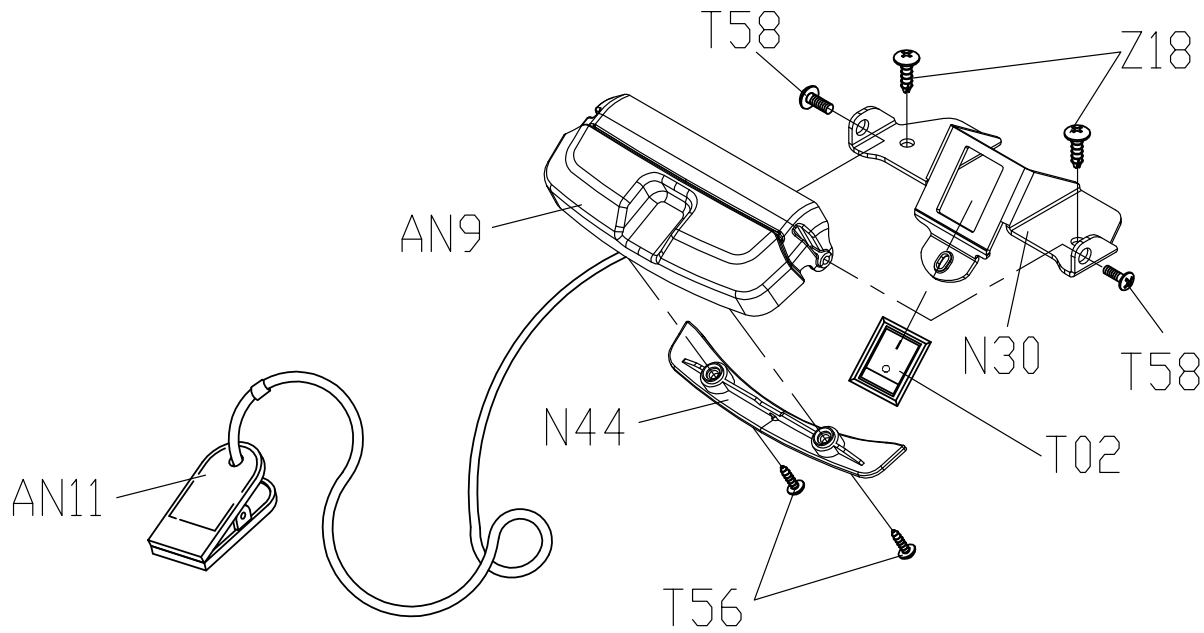


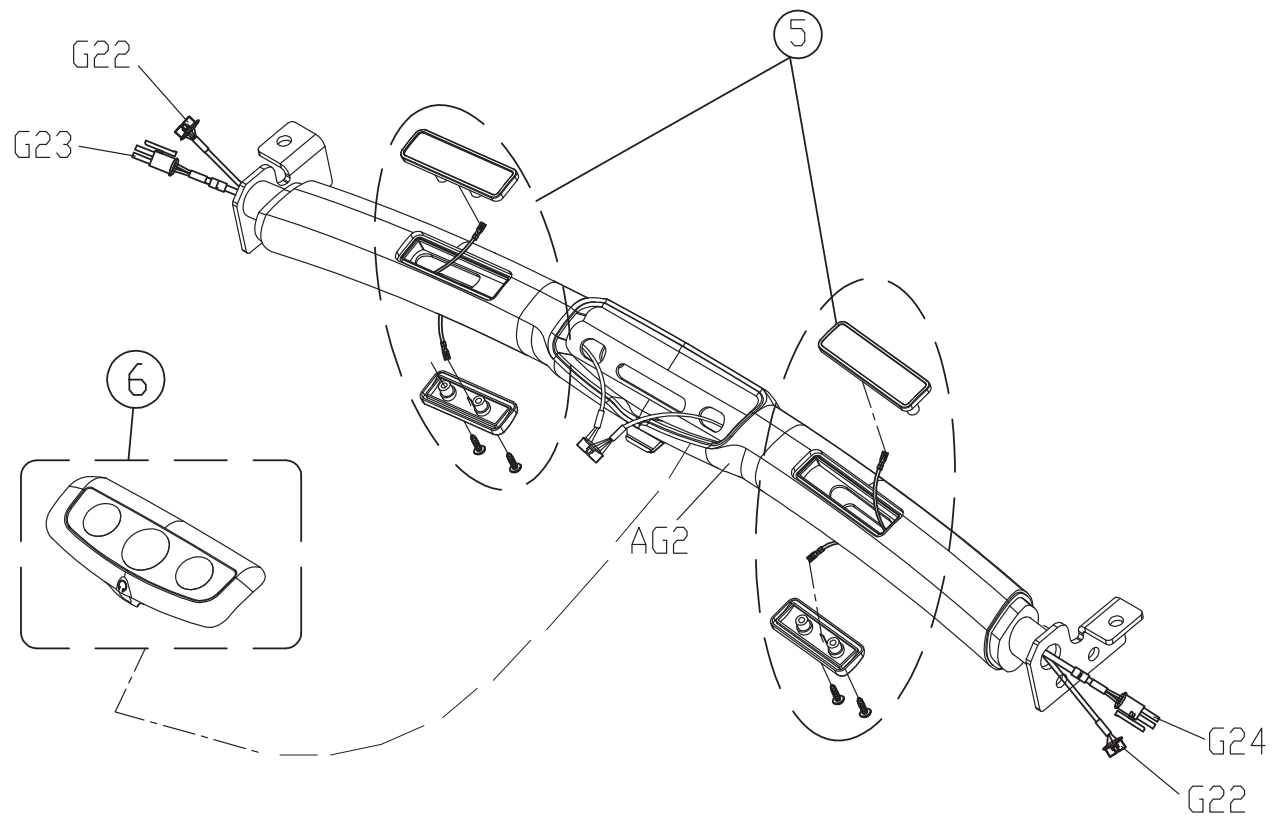
DRAWING NO	TM501-A04		
PART NAME	Explosive Rendering Console		
PART NO	0000086523		
APPROVE	SHUYI	DATE	020911



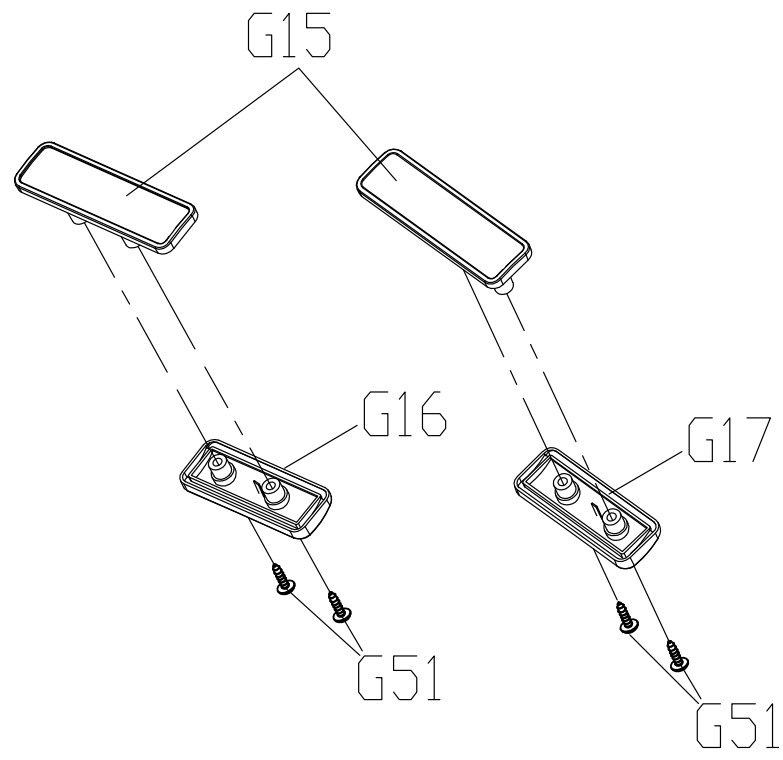
DRAWING NO 圖號	TM501-AT5
PART NAME(CH) 零件名稱(中文)	安全開關組
PART NAME(EN) 零件名稱(英文)	Safety Key Set
SAP PART NO SAP料號	0000088982



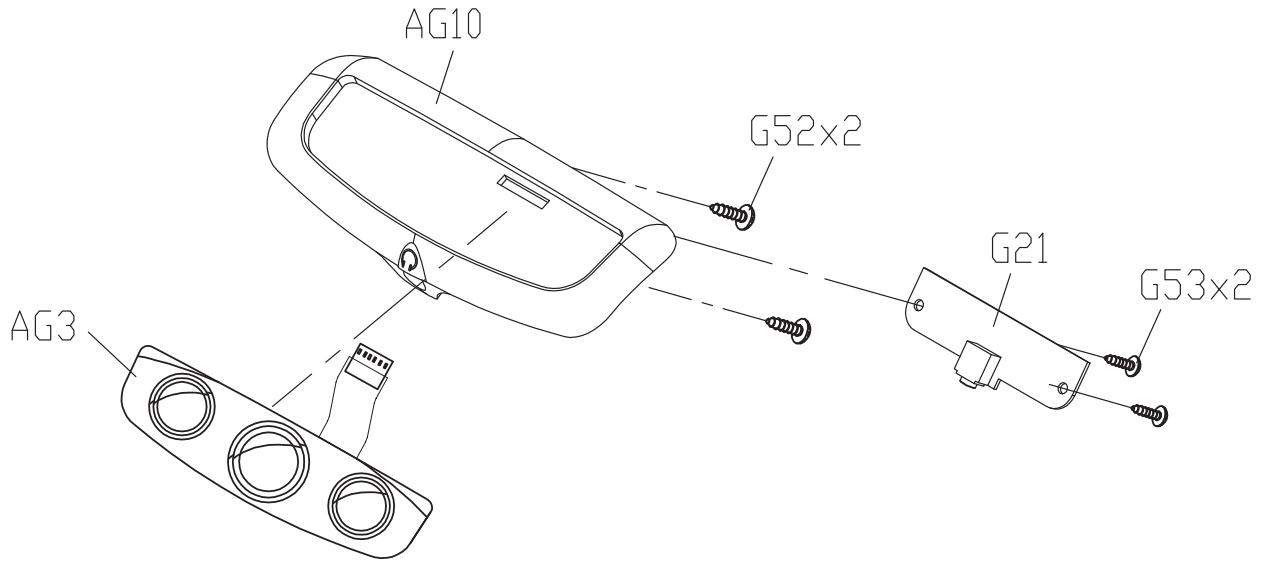
DRAWING NO	TM501-AG21		
PART NAME	Handlebar Set		
PART NO		REV	C
APPROVE	SHUYI	DATE	020911



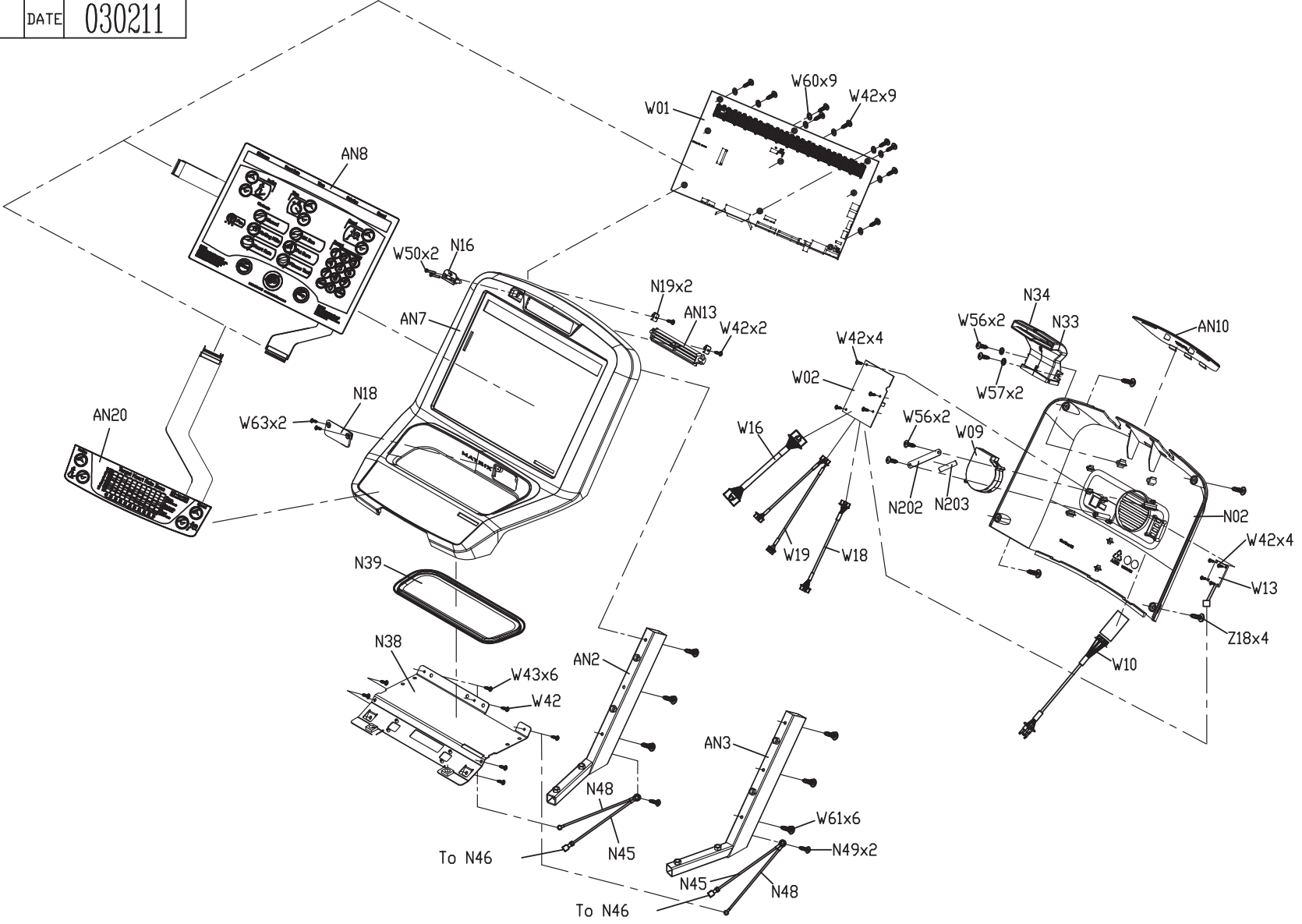
DRAWING NO 圖號	TM501-AG15
PART NAME(CH) 零件名稱(中文)	感應器護蓋組
PART NAME(EN) 零件名稱(英文)	Sensor Cover Set
SAP PART NO SAP料號	0000088986 A

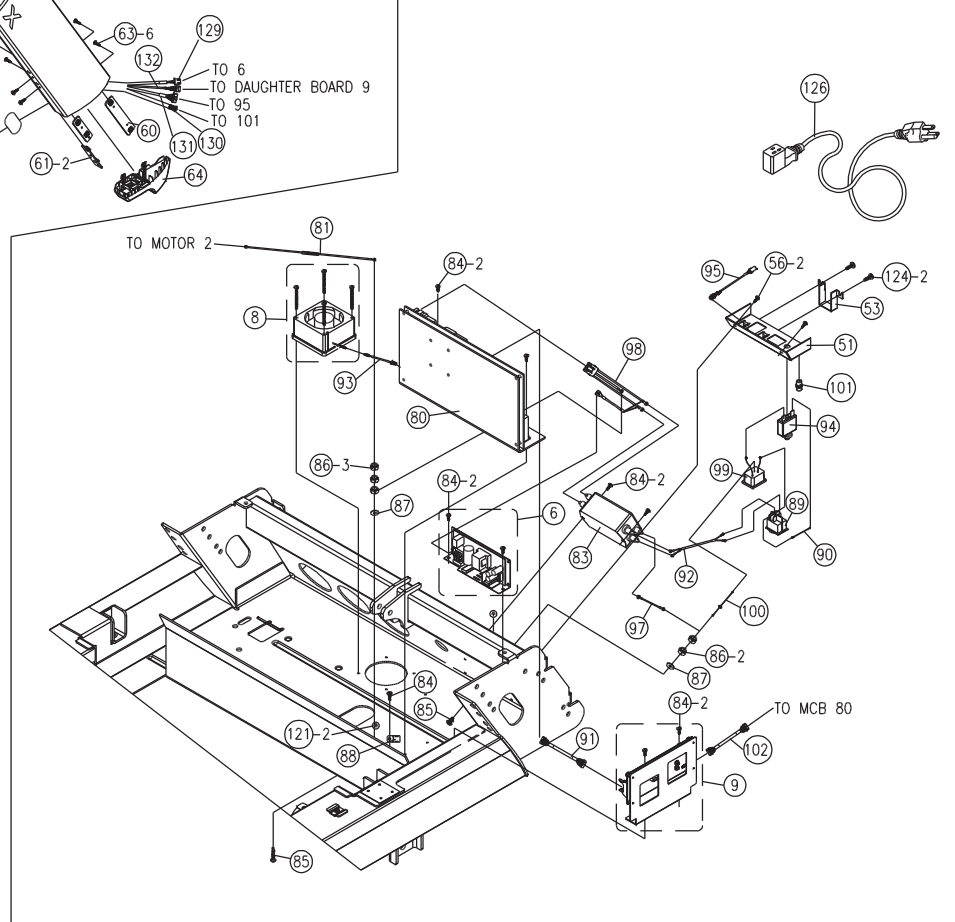
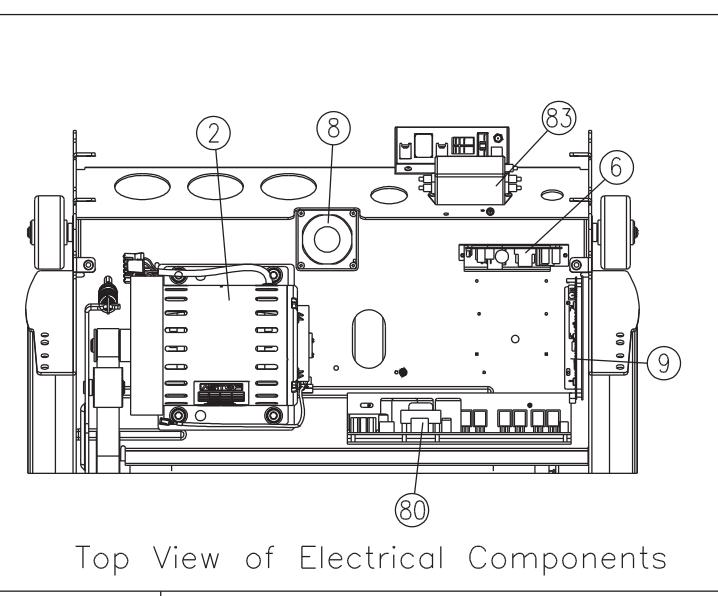
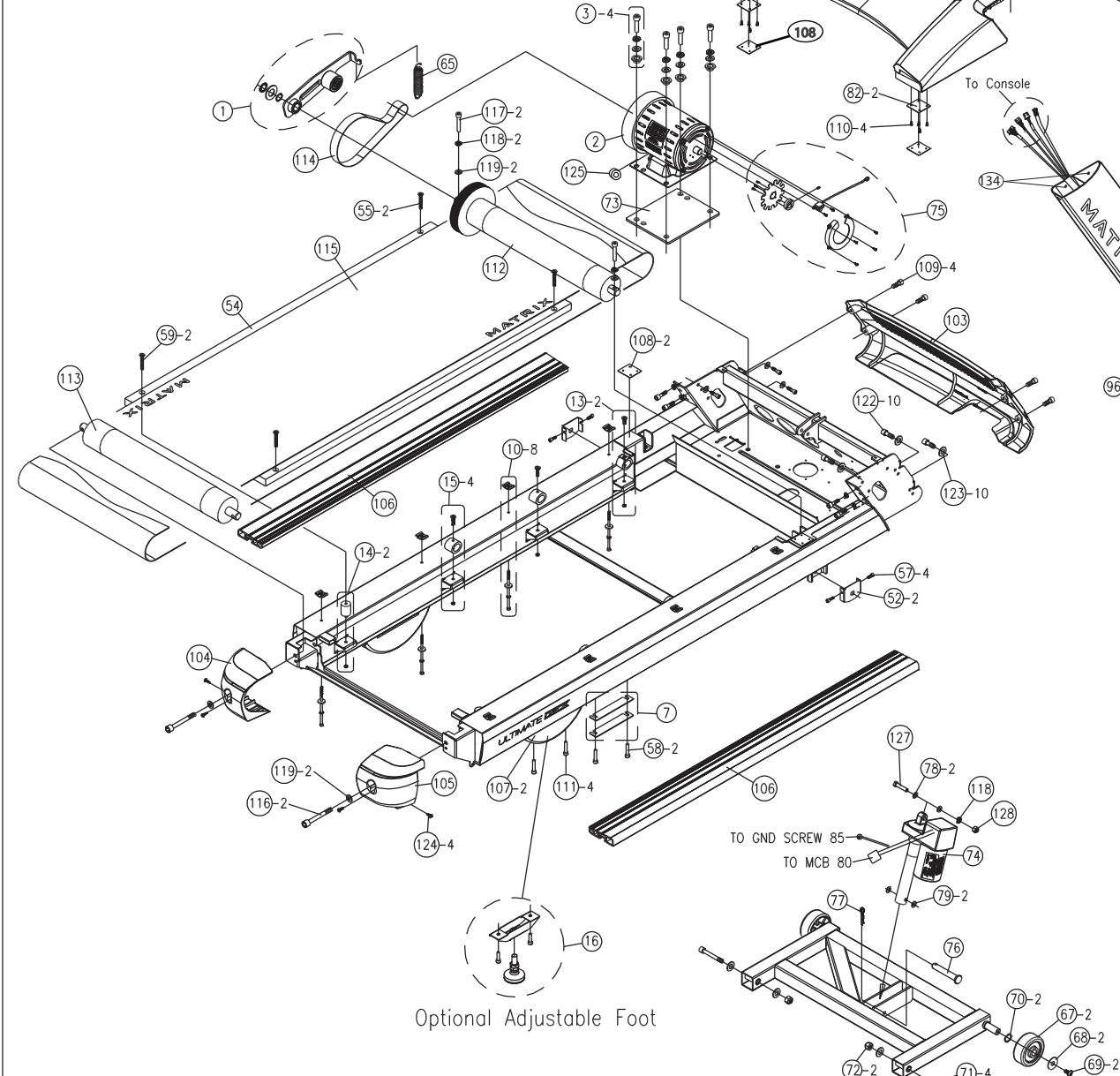
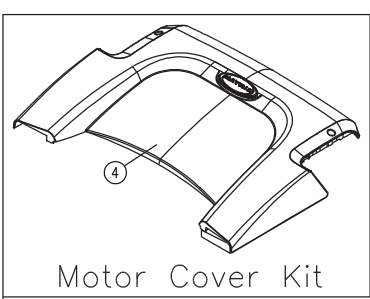


DRAWING NO	TM501-AG12		
PART NAME	Quick Start Overlay Set		
PART NO	As Attachment C		
APPROVE	SHUYI	DATE	020911



DRAWING NO	TM501-AN22		
PART NAME	Console Set		
PART NO	As Attachment		
APPROVE	SHUYI	DATE	030211





SERVICE DRAWING OF DRUMMOND BASE FRAME

Detail View of Electrical Components